



DW40

Wheel Dumper

Reliable, safer and durable for material handling

With modern engine technology, the wheel dumper fleet can reach a speed of 25 km/h with a total payload of four metric tons. In doing so, the operator can rely on very high safety standards: The skip and tilt monitoring warns the operator of an unsafe use of the machine, while the cameras to the front and rear, including a washing system, provide the surroundings on a large 7-inch display. These and many other safety features make the DW40 a partner on the construction site, which can prevent accidents and noticeably increase the operator's level of comfort.

Highlights

- Hill-Hold function
- Skip monitoring
- Hydrostatic 4-wheel drive
- Inclination monitoring
- Seat belt monitoring with start release

Technical Data

Hydraulic

Operating pressure hydraulics	220.0 bar
Hydraulic pump	ZRP
Flow rate	38.0 l/min

Mechanical - Output Details

Travel speed	25.0 km/h
--------------	-----------

Mechanical Details

Length	4,269.0 mm
Width	1,780.0 mm
Height	2,860.0 mm
Payload	4,000.0 kg
Skip	Swivel skip
Skip capacity levelled	1,800.0 l
Skip capacity heaped	2,300.0 l
Skip capacity waterlevel	1,190.0 l
Pendulum angle	12.0 °
Operating weight (min.-max.)	2,640.0 - 2,950.0 kg

Engine

Cooling	Water-cooling
Engine type	Diesel engine
Cylinder	3.0

Cylinder capacity	1,663.0 cm ³
Inclined position max.	25.0 °
Fuel	HVO EN15940
Effective power	36.0 KW
Nominal Engine speed	2,800.0 1/min
Exhaust-gas limit	EU Stage V
Starter battery Voltage	12.0 V
Engine Manufacturer	Perkins
Engine Designation	403J-E17T

Environment Data

Sound power LWA, measured	97.4 dB(A)
Sound power LWA, guaranteed	101.0 dB(A)
Sound power LWA (Standard)	ISO 6395

Operating Fluids

Fuel Tank capacity	45.0 l
--------------------	--------

Chassis

Turning radius	4,030.0 mm
Articulation angle	36.0 °
Traction drive	Swash plate motor
Hydraulic Pump	Axialpistonpump
Operating pressure	420.0 bar

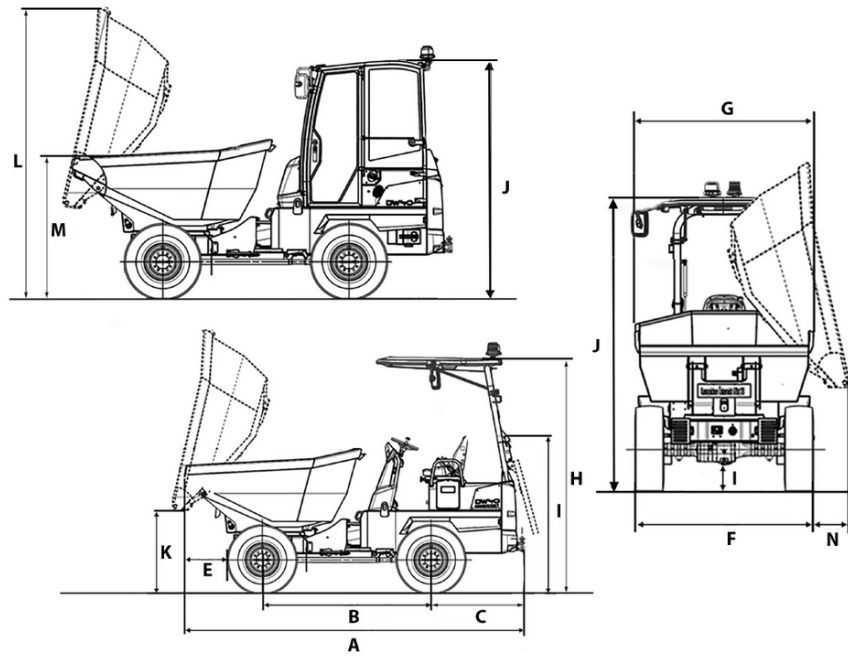
Flow rate 99.0 l/min

Tires 11.5/80-15,3 - 14PR

■ Shipping and Storage

Shipping weight 2,575.0 kg

Dimensions



A	Total length	4,269 mm
B	Wheel base	2,090 mm
C	Rear overhang	1,072 mm
E	Dumping width	567 mm
F	Width of vehicle	1,780 mm
G	Width of skip	1,780 mm
H	Height ROPS	2,857 mm
I	Height of ROPS tilted	1,945 mm
J	Height with cab	2,690 mm
K	Dumping height max.	1,014 mm
L	Skip height tilted	3,298 mm
M	Skip height	1,582 mm
N	Dumping width lateral	237 mm