



WL950

Wheel Loader

Cost-efficient entry-level model

These features characterize the WL950 wheel loader: Comfort cab with excellent ergonomics and all-round visibility, electronically controlled travel drive with various travel modes, robust loader arm with the best view of the attachment, wide range of options and a modern machine design. The transversely installed motor and the optimized arrangement of components ensure very good maintenance accessibility. The WL950 is the ideal entry-level model in the wheel loader class with 0,85 m³ bucket volume. It combines power, reliable hydraulics and compact dimensions with sophisticated technology and a convincing price-performance ratio.

Highlights

- Comfortable Cab
- Perfectly matched Z-kinematics
- Robust central joint with optimized hose routing
- Motor installed transversely
- Service access front end

Technical Data

■ Standard engine data

Engine manufacturer	Kohler
Motor type	KDI1903TCR
Cylinder	3
Drive output	42 kW
Drive output	57 PS
at max. rpm	2,600 U/min
Maximum torque	225 Nm
Cylinder capacity	1,861 cm ³
Type of coolant	Water
Exhaust standard level	V
Exhaust aftertreatment	DOC/DPF

■ Electrical system

Operating voltage	12 V
Battery	100 Ah
Alternator	120 A

■ Weights

Bucket capacity (standard bucket)	0.85 m ³
Operating weight	5,000 - 5,200 kg
Tipping load with bucket – machine straight, loading frame horizontal	3,570 - 3,950 kg

Tipping load with bucket – machine pivoted, loading frame horizontal	3,070 - 3,410 kg
Tipping load with pallet fork – machine straight, loading frame horizontal	2,960 - 3,260 kg
Tipping load with pallet fork – machine pivoted, loading frame horizontal	2,560 - 2,830 kg

■ Driver's cab

Driver's cab	Cab
--------------	-----

■ Filling levels

Tank capacity for fuel	80 l
Tank capacity for hydraulic oil	32 l

■ Drive system

Type of drive	electronically controlled
drive unit	Hydrostatic via transfer gearbox and universal joint shaft
Speed levels	2
Axle	PA1422
Travel speed Standard	0-20 km/h
Operating brake	Drum brake
Parking brake	drum brake (mechanical handbrake lever)
Differential lock	100 % front axle + rear axle

■ Hydraulic system

Drive hydraulics working pressure (max.)	500 bar
--	---------

The illustrations, equipment and data shown may deviate from the current delivery program of your country. Optional equipment subject to additional charge may be shown. Subject to changes.

Work hydraulics discharge volume (max.)	74 l/min
Work hydraulics working pressure (max.)	235 bar

■ Kinematics

Kinematics type	Z
Lifting cylinder	1
Tipping cylinder	1
Quick change system	hydraulic

■ Steering

Steering type	hydraulically activated articulated pendulum steering
---------------	---

Steering cylinder	1
-------------------	---

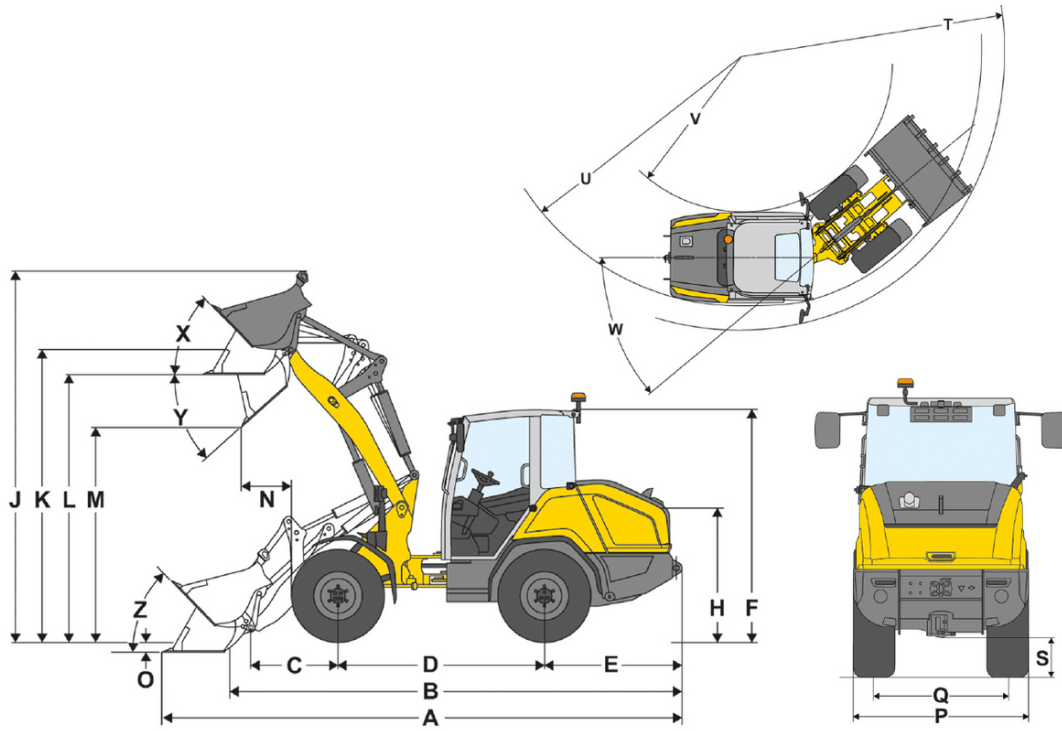
■ Noise characteristic values

Average sound power level LwA (cabin)	99.9 dB(A)
Guaranteed sound power level LwA (cabin)	101 dB(A)
Specified sound pressure level LpA (cabin)	69 dB(A)

■ Other information

DPF = diesel particulate filter
DOC = diesel oxidation catalyst
Tipping load calculation pursuant to ISO 14397

Dimensions



A	Total length	5,430 mm
B	Total length without bucket	4,670 mm
C	Bucket pivot point (to center of axle)	960 mm
D	Wheel base	2,150 mm
E	Rear overhang	1,435 mm
F	Height with cab	2,510 mm
H	Seat height	1,485 mm
J	Total working height	4,070 mm
K	Bucket pivot point (max. lift height)	3,250 mm
L	Load-over height	2,995 mm
M	Dumping height	2,450 mm
N	Reach (at M)	675 mm
O	Digging depth	85 mm
P	Total width	1,830 mm
Q	Track width	1,420 mm
S	Ground clearance	375 mm
T	Maximum radius	4,300 mm
U	Radius on the outer edge	3,935 mm
V	Inner radius	2,070 mm
W	Articulation angle	40 °
X	Rollback angle at max. lift height	66 °
Y	Dumping angle	45 °
Z	Rollback angle on ground	44 °